

MYTECH[®]

SHOU ZUAN
PRECISION MACHINERY CO., LTD.

No.46 Gen-Chen Rd., Shen Kung Dist.,
Taichung City 42952, Taiwan.

Tel. +886-4-2563 3015

Fax. +886-4-2563 2838

E-mail. sales@mytech-cnc.com

 www.mytech-cnc.com



 AGENT

MYTECH[®]

ELEGANCE IN TECHNOLOGY



**SHOU ZUAN Double Column Vertical
Machining Center**

CE

 www.mytech-cnc.com 006-4-25633015 2011.12

Double Column Vertical Machining Center

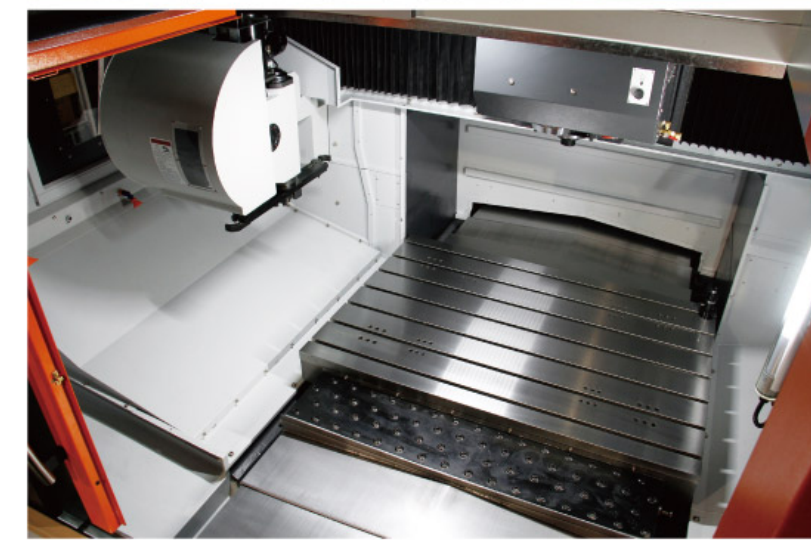
ROBUST STRUCTURE

- | The major parts are manufactured from cast iron, strong structure and strong ability to withstand shock.
- | The entire machine structure has been analyzed and designed by SOLIDWORKS for superior rigidity and accuracy.
- | Three-Axes roller type linear guideway, improve the cutting load to ensure dynamic accuracy and long service life.
- | Linear way of Ladder type beam construction on Y axis. Extra wide span between two linear ways exhibits outstanding stability of cutting.
- | Six roller type slide blocks on Z axis, to ensure that the spindle accuracy and stable when machining cutting.
- | Y axis used twin-chip auger (front-out), the chips can be easily discharged to machine outside.

NEW DESIGN OF SURFACE

- | The user can set the spindle tool on machine side easily.
- | The workpiece size can be put 1250x800x500mm on work table, it is wide for machining space.
- | Panoramic view of the lighting, can enhance the brightness inside the machine
- | The widest of door be 1450mm. It is easily to take the workpiece.
- | The side door size be 600x900mm (Width x High).
- | The pendant control box can be arbitrarily rotating swiveling. The user can set the spindle tool on machine side easily.
- | 40 feet high container can be installed 2 pcs machine, reduce transportation costs and increase competitiveness.
- | Applicable Industries : Automobile forming dies, Plastic injection molds, Machine parts machining.

MYTECH®



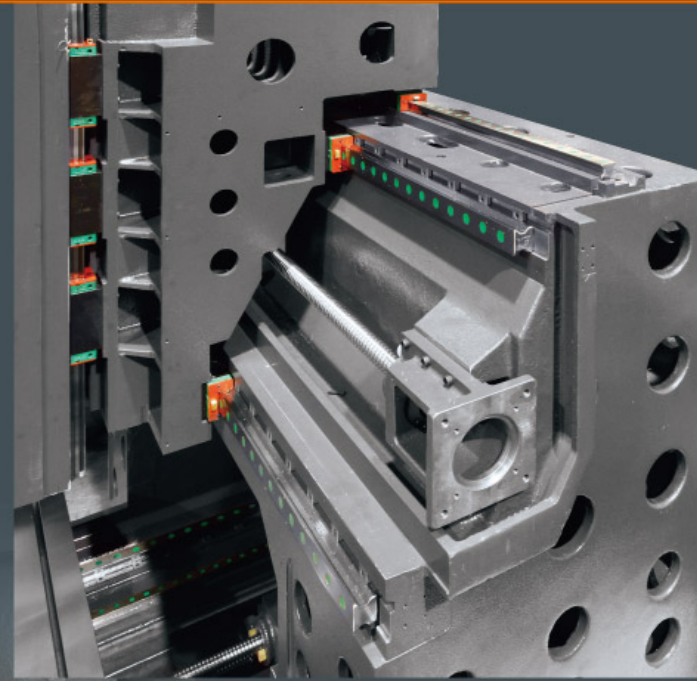
www.mytech-cnc.com

www.mytech-cnc.com

Double Column Vertical Machining Center

VD SPECIALLY DESIGNED

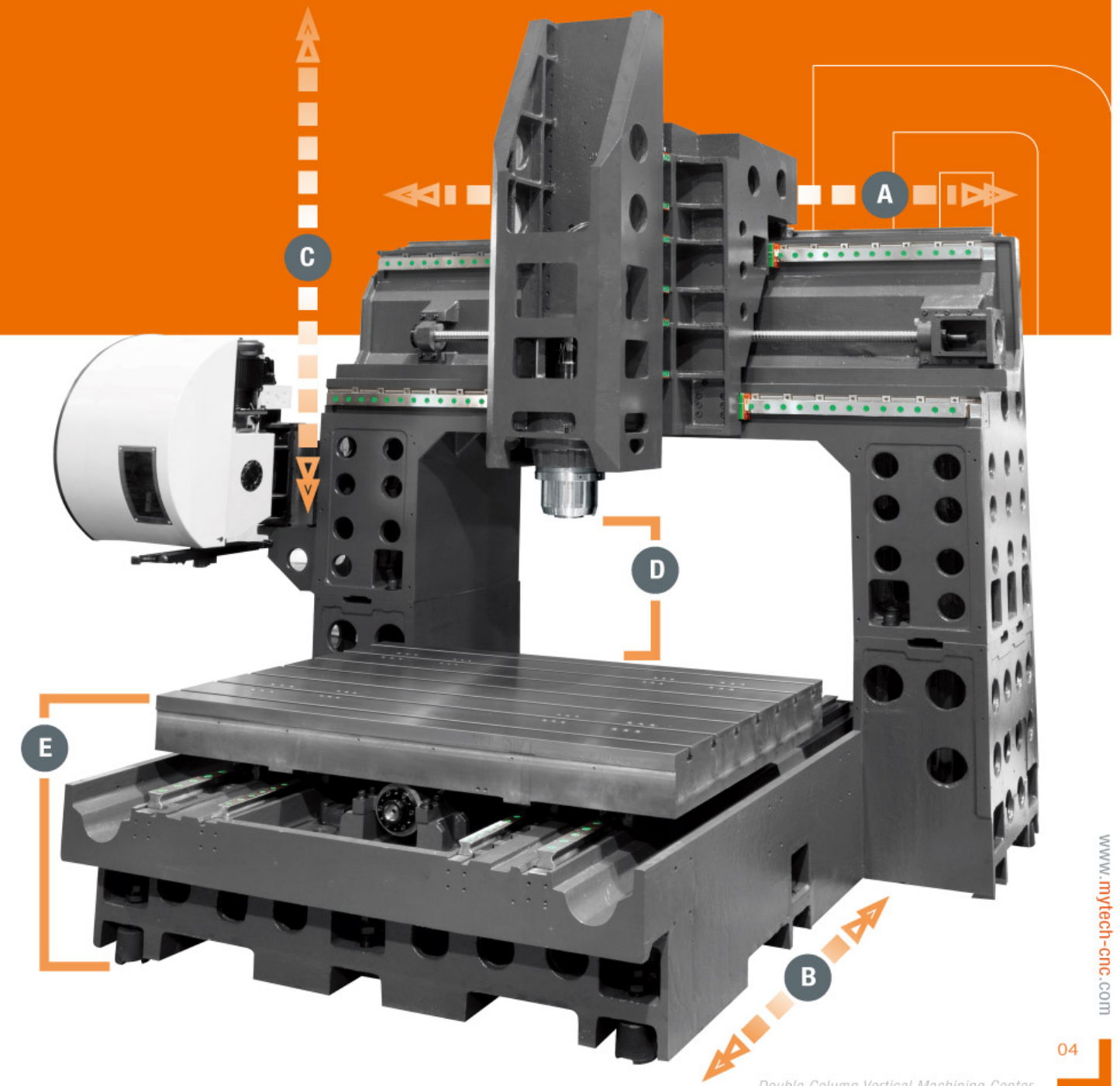
- | Ladder type beam construction.
- | Three linear ways on X-axis. The layout ensures maximum stability for the spindle head during heavy cutting.
- | Four linear ways on Y-axis. It be used 7kw servo motor. The worktable load up to 3800kgs.



MT-5742VD

- | Arm type ATC with 24 tools capacity. Fast and reliable roller gear cam ATC, lowers the idle time and enhances the machining efficiency.
- | Cutting feed rate on X,Y and Z axis: 20 m/min.
- | Rapid feed rate on X,Y and Z axis: 20m/min.

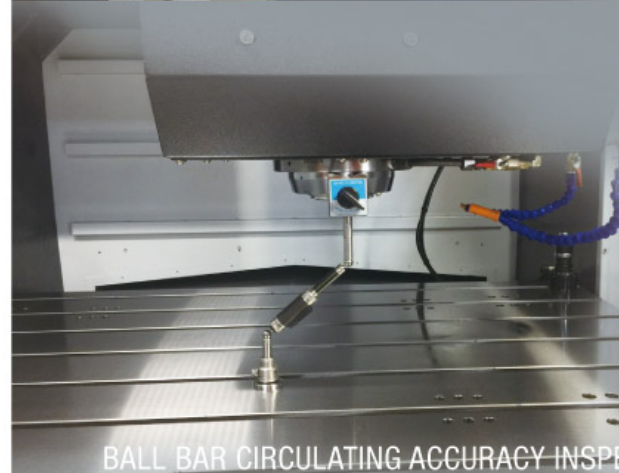
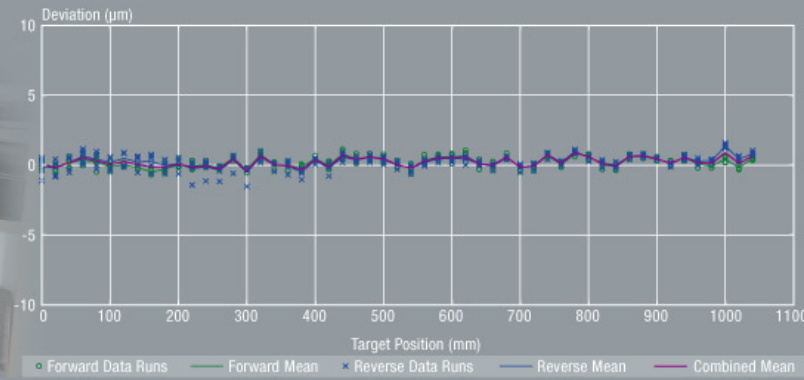
- A** X Axis 1450mm
- B** Y Axis 1080mm
- C** Z Axis 700mm
- D** Table top surface to spindle nose 110-810mm
- E** Height of table from ground 610mm



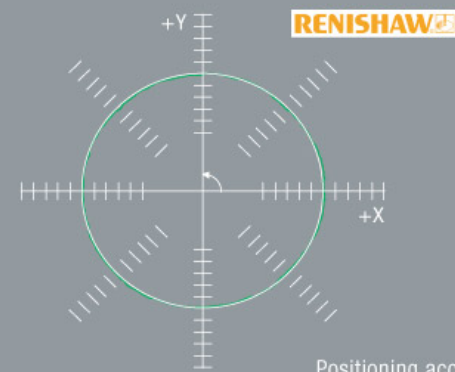
Double Column Vertical Machining Center

QUALITY CONTROL

ACCURACY INSPECTION BY RENISHAW LASER



BALL BAR CIRCULATING ACCURACY INSPECTION

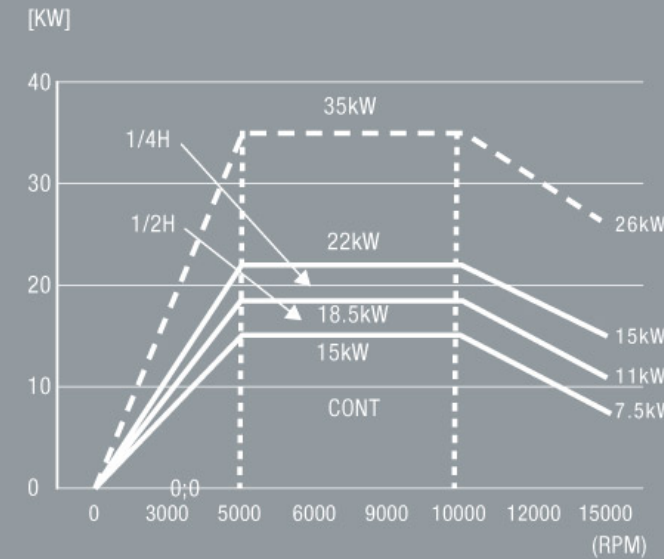


Positioning accuracy ± 0.004
Repeatability accuracy ± 0.002

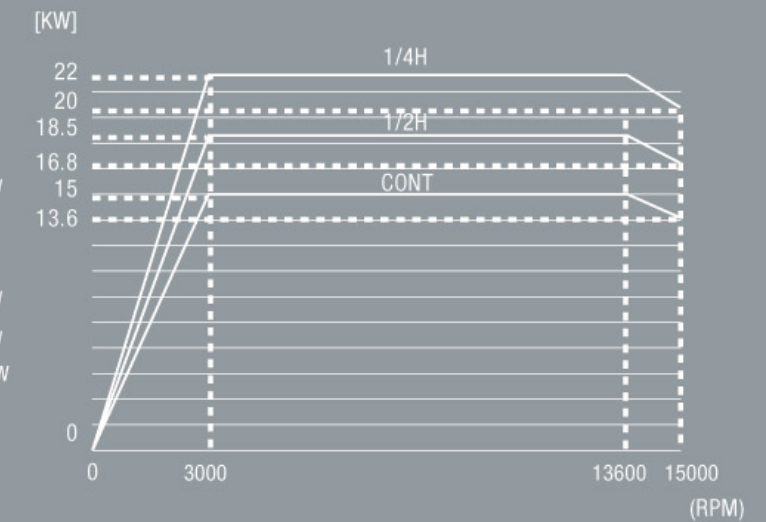
SPINDLE TORQUE



BBT#40
LONG TYPE SPINDLE



FANUC MODEL AiT15/15000
(18.5KW-15000RPM)



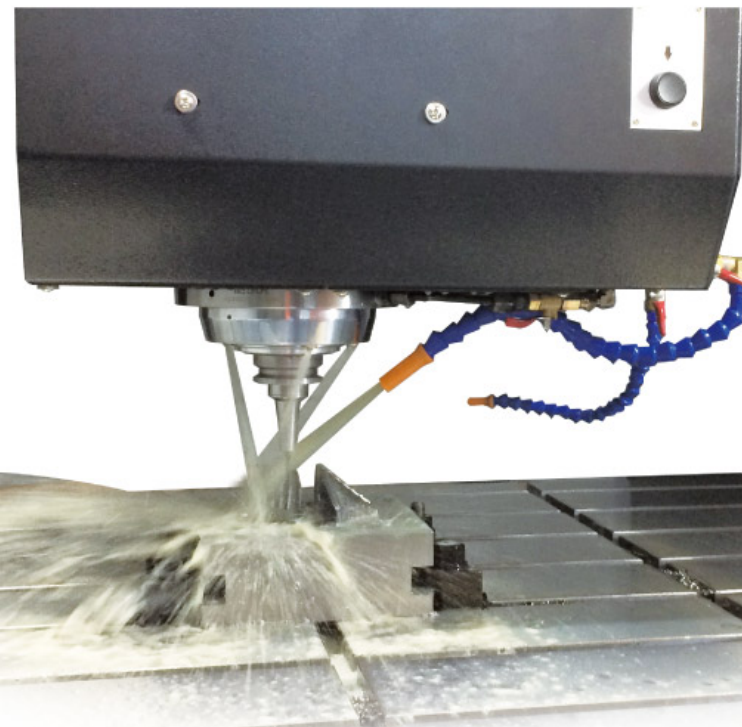
MITSUBISHI MODEL SJ-VK30-16FZT-S05
(18.5KW-15000RPM)

STANDARD ACCESSORIES

Both save money and environmental protection of the lubrication mechanism, pneumatic pump to provide three axes lubrication and build centralized equipment of pressure system.

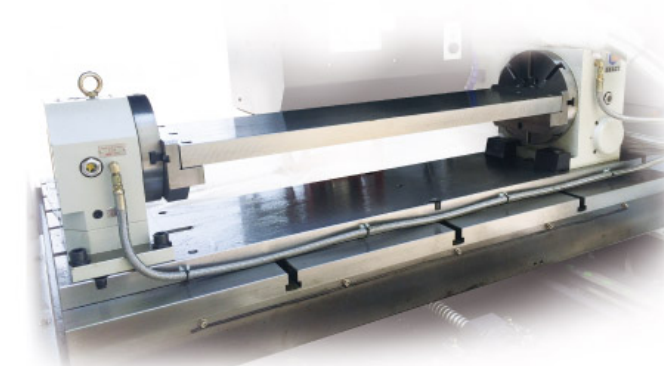


LUBRICATION AND PRESSURE SYSTEM



SPINDLE SPLASH RING

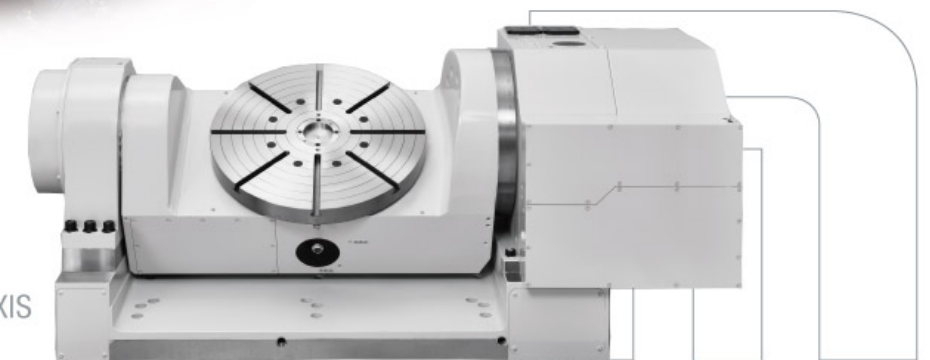
OPTION ACCESSORIES



CNC 4TH AXIS ROTARY TABLE



OPTICAL SCALE OF HEIDENHAIN



CNC 4TH & 5TH AXIS
ROTARY TABLE

Double Column Vertical Machining Center

MYTECH®

SPECIFICATION

- | X-axis travel : 1650/2150/2650mm
- | Y-axis travel : 1450mm
- | Z-axis travel : 700mm

MODEL INFO.

MT - 57 85 VD

- Y-axis travel : 1450mm
- X-axis travel : 2150mm
- Four roller type linear guideway on X-axis / Three roller type linear guideway on Y-axis



#50-CHAIN TYPE ATC WITH 32 TOOLS CAPACITY. (OPT.)

BBT#50 DIRECT TYPE SPINDLE (OPT.)

CHANGE TOOL TYPE

FLAT TYPE CHIP CONVEYER

| Flat type chip conveyer is high efficiency and high speed to easily move the chips and clean.

CE MARK ELECTRICAL PARTS

| Keep the space for new apparatus.

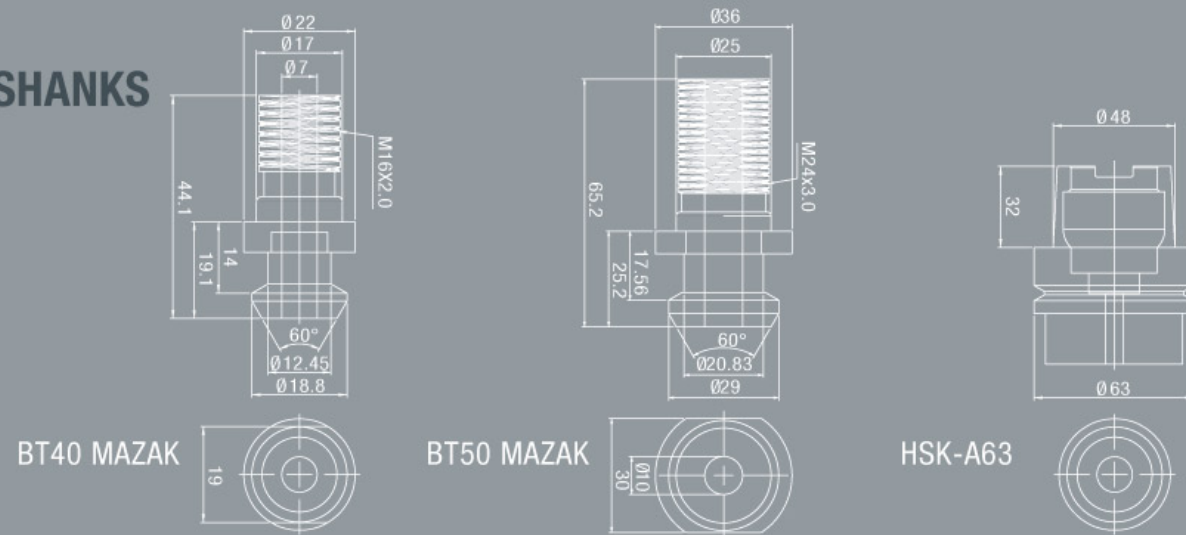
| The pendant control box can be arbitrarily rotating swiveling.

LUBRICATION and PRESSURE SYSTEM

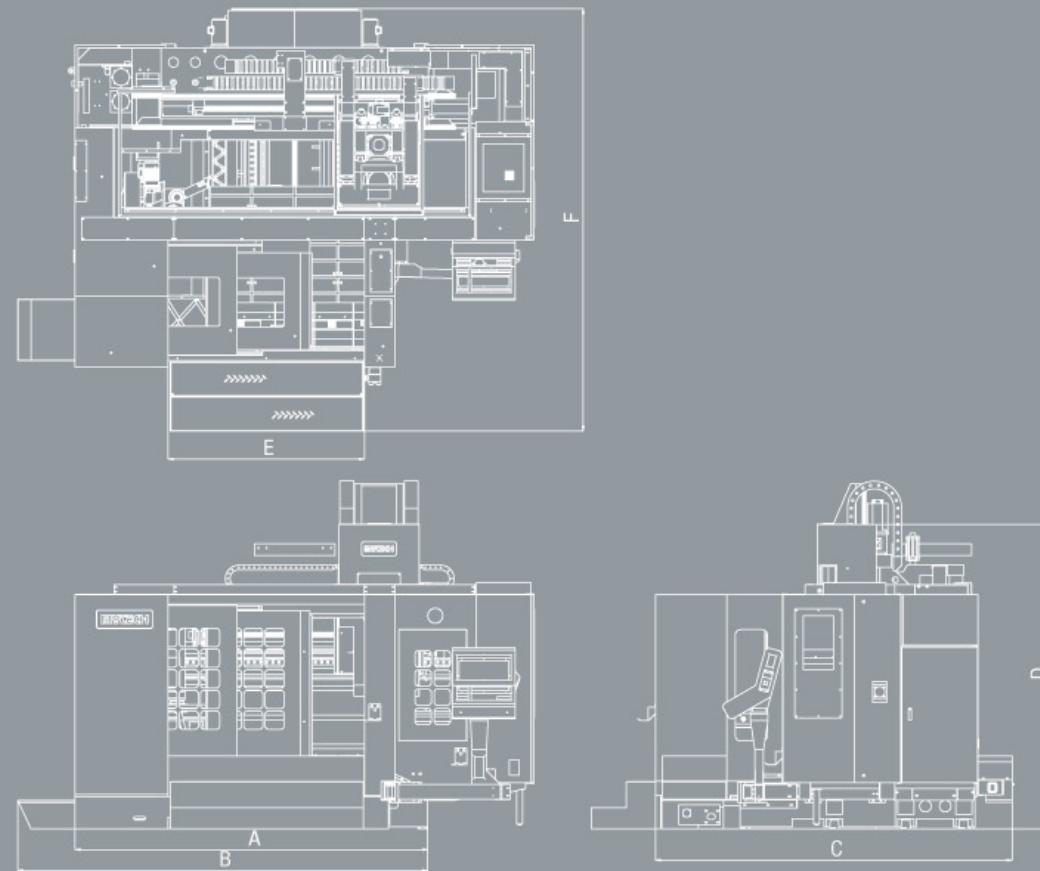
Double Column Vertical Machining Center



TOOL SHANKS

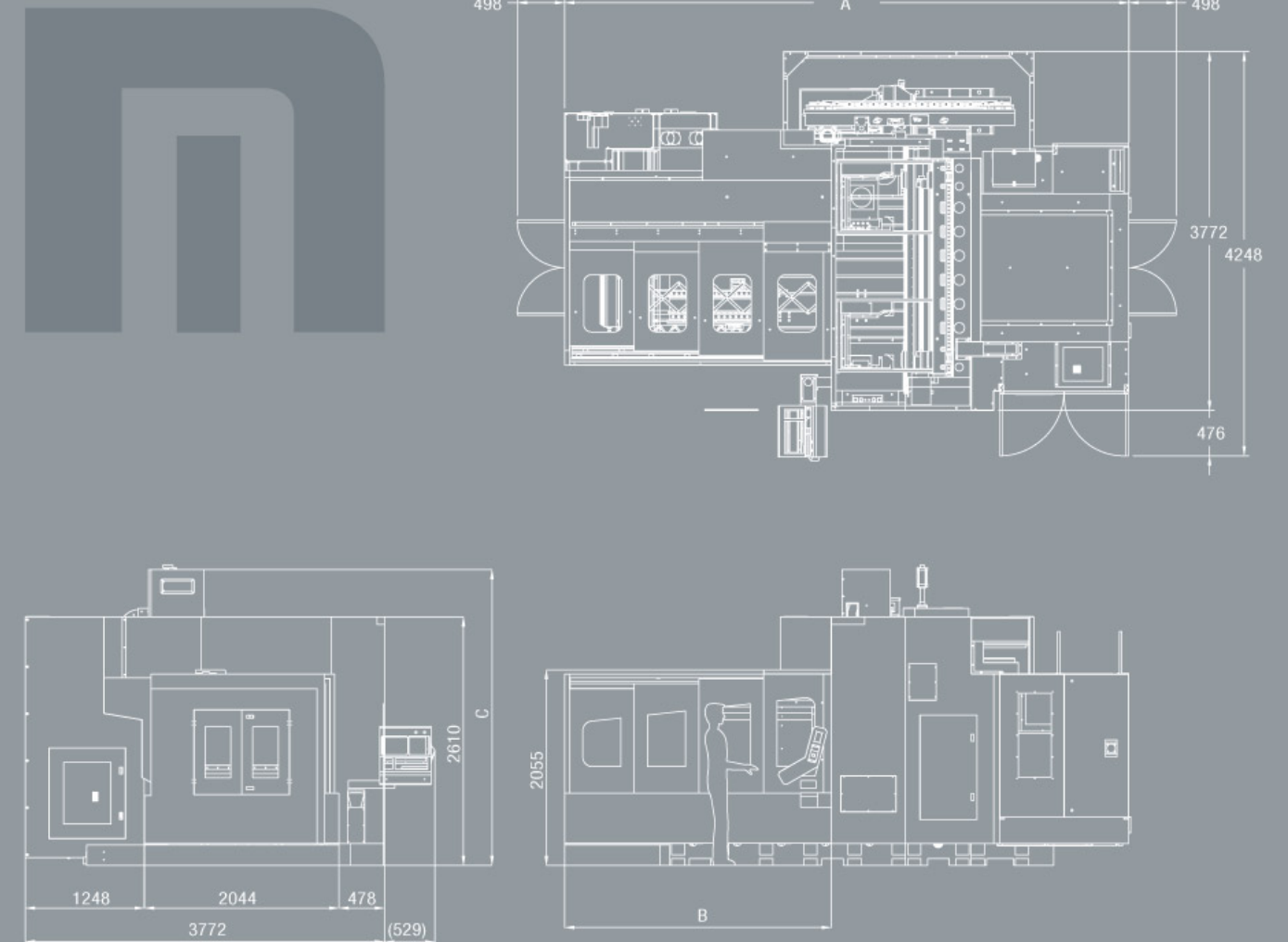


DIMENSIONS (Unit:mm)



MODEL	A	B	C	D	E	F
5032	3950	3435	2915	MIN2005 MAX2605	1450	3465
5742	3950	3435	3075	MIN1910 MAX2610	1450	3625
5765	3450	3945	4650	MIN2310 MAX3010	1450	5200
5785	3450	3945	5150	MIN2310 MAX3010	1450	5700
57E5	3450	3945	5650	MIN2310 MAX3010	1450	6200

MT-5765/5785/57E5/57E22 DIMENSIONS (Unit:mm)



MODEL	A	B	C
5765	4805	2315	MIN2610 MAX3018
5785	5927	2800	MIN2610 MAX3018
57E5	7080	3253	MIN2610 MAX3018
57E22	7605	3555	MIN2610 MAX3018

Double Column Vertical Machining Center SPEC.



MODEL	MT-5032V	MT-5032VS	MT-5742V	MT-5742VS	MT-5765VD	MT-5765VSD	MT-5785VD	MT-5785VSD	MT-57E5VD	MT-57E5VSD	MT-57E22VD	
TABLE												
Size	mm	1300x850	1300x850	1450x1000	1450x1000	1550x1450	1550x1450	2050x1450	2050x1450	2550x1450	2550x1450	3000x1450
T-slot (width x nox distance)	mm x T	18x5x150	18x5x150	18x7x140	18x7x140	20x8x180	20x8x180	20x8x180	20x8x180	20x8x180	20x8x180	20x180x8
Maximun table load	kgs	1000	1500	2000	2500	3800	3800	4800	4800	5800	5800	10000
TRAVEL												
X,Y,Z -axis	mm	1270x815x610	1270x815x610	1450x1080x700	1450x1080x700	1450x1650x700	1450x1650x700	1450x2150x700	1450x2150x700	1450x2650x700	1450x2650x700	3100x1450x700
Table top surface to spindle nose	mm	200-810	200-810	110-810	110-810	134-834	134-834	134-834	134-834	134-834	134-834	134-834
Spindle center to column slide ways	mm	1100	1100	1100	1100							
Linear guideway type (X/Y/Z-axis)	mm	45/45/45	45/45/45	45/45/45	45/45/45	45/45,35/45	45/45,35/45	55,45/45,35/45	55,45/45,35/45	55,45/45,35/45	55,45/45,35/45	55x4/45x2,35x1/45x2
Ball screw (X/Y/Z-axis)		40/40/40	40/40/40	40/40/40	40/40/40	63/45/40	63/45/40	63/45/40	63/45/40	63/45/40	63/45/40	63/45/40 (Pitch 12)
SPINDLE												
Spindle holder		Direct	Built	Direct	Built	Direct	Built	Direct	Built	Direct	Built	Direct
Taper		BBT40	BBT40	BBT40	BBT40	BBT40	BBT40	BBT40	BBT40	BBT40	BBT40	BBT40
Diameter	mm	ψ 70	ψ 65	ψ 70	ψ 65	ψ 70/OPT. ψ 90	ψ 65	ψ 70/OPT. ψ 90	ψ 65	ψ 70/OPT. ψ 90	ψ 65	ψ 70
Spindle speed	rpm	15000	20000	15000	20000	15000	20000	15000	20000	15000	20000	15000
FEED												
Three axes		Roller type linear guideway	Roller type linear guideway	Roller type linear guideway	Roller type linear guideway	Roller type linear guideway	Roller type linear guideway	Roller type linear guideway	Roller type linear guideway	Roller type linear guideway	Roller type linear guideway	Roller type linear guideway
Cutting feedrate X/Y/Z (G01)	m/min	10/10/10	10/10/10	10/10/10	10/10/10	10/10/10	10/10/10	10/10/10	10/10/10	10/10/10	10/10/10	10/10/10
Rapid feedrate X/Y/Z (G0)	m/min	20/20/20	20/20/20	20/20/20	20/20/20	20/20/20	20/20/20	20/20/20	20/20/20	20/20/20	20/20/20	20/20/20
ATC												
Type		Arm	Umbrella	Arm	Umbrella	Arm	Umbrella	Arm	Umbrella	Arm	Umbrella	Arm
Max. tool Dia	mm	ψ 75 / ψ 150	ψ 75 / ψ 200	ψ 75 / ψ 150	ψ 75 / ψ 200	ψ 75 / ψ 150	ψ 75 / ψ 150	ψ 75 / ψ 150	ψ 75 / ψ 150	ψ 75 / ψ 150	ψ 75 / ψ 150	ψ 75 / ψ 150
Max. tool length	mm	300	200	300	200	300	300	300	300	300	300	300
Max. tool weight	kgs	7	7	7	7	7	7	7	7	7	7	7
Tool type		CAT40	CAT40	CAT40	CAT40	CAT40	CAT40	CAT40	CAT40	CAT40	CAT40	CAT40
Tool magazine capacity	T	24	12	24	12	24	12	24	12	24	12	24
MOTORS												
Spindle	kw	15	23	15	23	15	23	15	23	15	23	15
X/Y/Z-Axis	kw	7.0/7.0/7.0	7.0/7.0/7.0	7.0/7.0/7.0	7.0/7.0/7.0	7.0/7.0/7.0	7.0/7.0/7.0	9.0/7.0/7.0	9.0/7.0/7.0	9.0/7.0/7.0	9.0/7.0/7.0	9.0/7.0/7.0
Coolant pump	kw	0.75	0.75	0.75	0.75	0.75	0.75	0.75	0.75	0.75	0.75	0.75
ATC motor	w	350	350	350	350	1650	1650	1650	1650	1650	1650	1650
Air conditioner	w	500	500	500	500	500	500	500	500	500	500	500
Spindle oil cooler	w	1970	4350	1970	4350	1970	4350	1970	4350	1970	4350	1970
Chip flush motor	w	1290	1290	1290	1290	1290	1290	1290	1290	1290	1290	1290
OTHER												
Machine Space (LxW)	mm	3300x2800	3300x2800	3480x3000	3480x3000	4880x3772	4880x3772	5925x3772	5925x3772	7075x3772	7075x3772	7600x4300
Coolant tank capacity	L	400	400	400	400	500	500	500	500	500	500	500
Net weight	kgs	11000	11000	12000	12000	15400	15400	17000	17000	18600	18600	24000
Total power consumption	KVA	50	50	50	50	50	50	50	50	50	50	50
Air source required	kg/cm ²	6 up	6 up	6 up	6 up	7 up	7 up	7 up	7 up	7 up	7 up	7 up

STANDARD ACCESSORIES

- | Full-closed splash guard
- | Oil skimmer system
- | Water gun and air gun
- | Chips flush system
- | Tools box
- | LED work lamp
- | Automatic lubrication system
- | Heat exchanger for electric cabinet
- | 3 color Alarm light
- | Automatic tool length measuring device
- | Spindle oil cooler system
- | Spindle splash ring
- | Screw type chip conveyer

OPTION ACCESSORIES

- | BBT#40 Direct type spindle 12000RPM
- | BBT#50 Direct type spindle 6000-8000RPM
- | HSKA63 Built type spindle 24000RPM
- | Long type spindle
- | Flat type chip conveyer
- | Coolant through spindle
- | 3-Axes optical scale
- | CE norm
- | Breakage detection system
- | Oil mist collector
- | Inverter ATC system
- | X and Y Axis coolant through ball screws
- | CNC 4th Axis rotary table
- | CNC 4th & 5th Axis rotary table